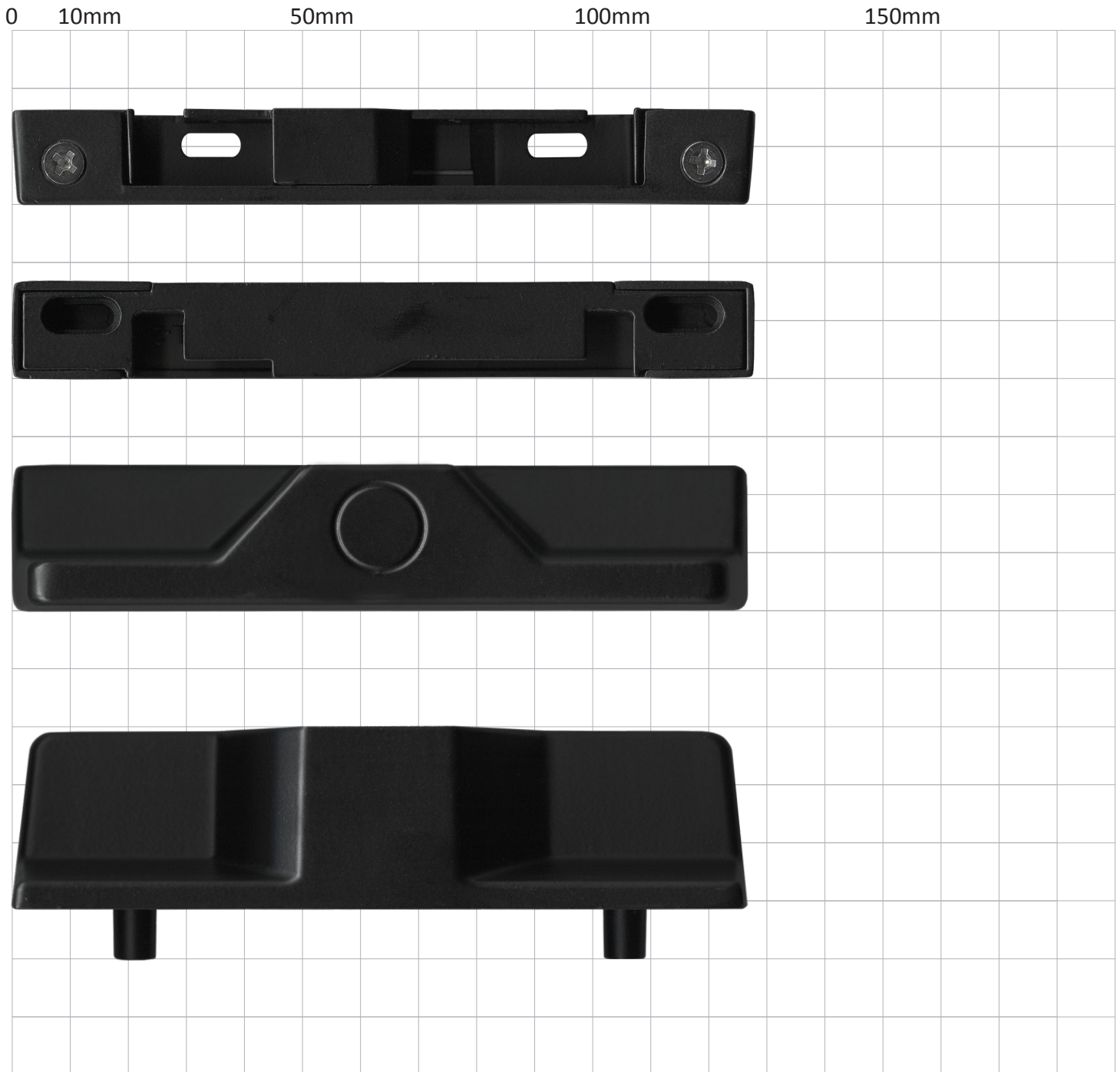


## Print-a-page Identifier

Use the 1:1 image and grid scale below to help identify your part. Each grid measures 10mm x 10mm.

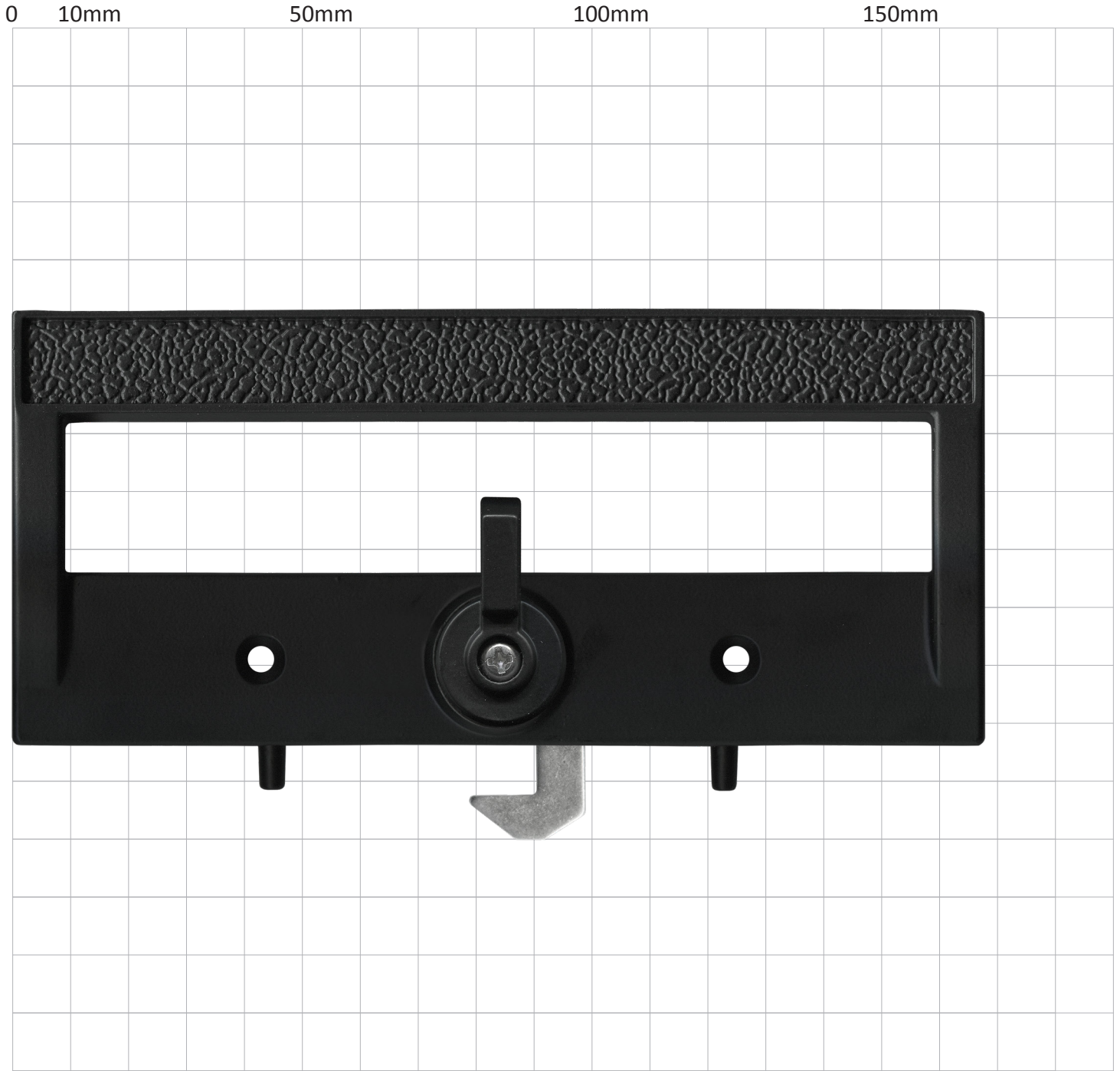
The 'Print-a-page Identifier' prints each image at **1:1 scale actual size**. *Note: Use A4 size paper and set your print job to actual size.*

### 4-8531BLK



Grid scale is 10mm.

Images continue onto next page.



Grid scale is 10mm.

**NSW & ACT** (03) 9786 0333  
salesnsw@total-hardware.com.au

**WA** (08) 9317 3860  
saleswa@total-hardware.com.au

**www.total-hardware.com.au**

**QLD** (07) 3255 5034  
salesqld@total-hardware.com.au

**VIC & TAS** (03) 9786 0333  
salesvic@total-hardware.com.au

**SA & NT** (03) 9786 0333  
salessa@total-hardware.com.au